

# SV7102

## Low Voltage, High-Speed USB 2.0 Switch

### Features

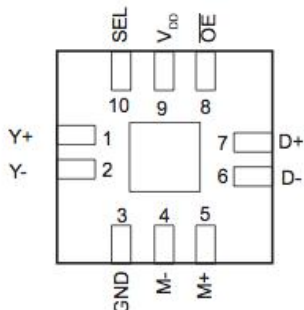
- Wide operating range: +1.65V ~ +5.5V
- USB 2.0 (High Speed), USB2.0 (Full Speed) and legacy USB 1.1 compliant
- Wide bandwidth: 810MHz (typ.)
- 9ns switching transition time
- Cross-talk: -45dB at 480Mbps
- Off isolation: -40dB at 480Mbps
- Low ON-resistance:  $r_{ON} = 4\ \Omega$  (typ.)
- Extreme low signal propagation delay
- Low power consumption

### Description

The SV7102 is a high-bandwidth switch specially designed for switching high-speed USB 2.0 signals in handset, portables and digital consumer applications. It offers seamless switching with extreme low attenuation designed for applications requiring low bit-to-bit skew and high channel-to-channel noise isolation, and is fully compliant with industry high-speed USB 2.0 standard.

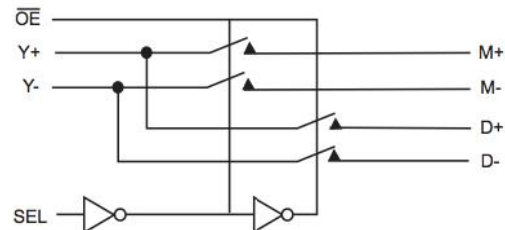
The SV7102 switch features wide bandwidth that allows minimum edge and phase distortion while signals passing through. The SV7102 is acting as a multiplex that multiplexes two outputs of a USB host device to one of two corresponding outputs for connecting to an external USB device. The switch is bidirectional, so it can be used as a demultiplex too.

### Pin Configuration



10L- WQFN 1.8x1.3x0.6mm

### Block diagram



### Order codes

Part number	Operation temperature range	Package	Packing
SV7102-10WY-TR3	-40°C, +85°C	WQFN-10	Tape & Reel, 3000pcs