



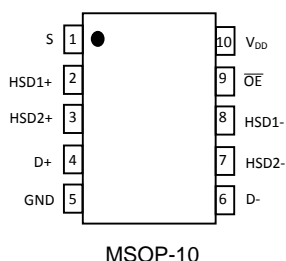
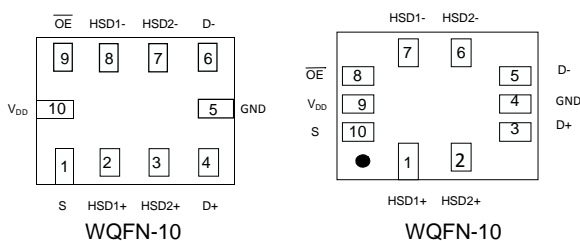
SV7030

Low Power, Low Attenuation, High-Speed USB 2.0 (480 Mbps) Switch

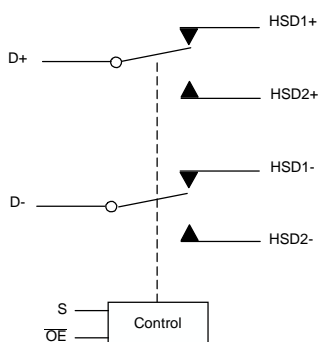
Features

- Wide operating voltage range, +2.5V to +5.5V
- USB 1.1 (full speed) and USB 2.0 (high speed) compliant
- Fast switching time
 - t_{ON} : 25 nS
 - t_{OFF} : 12nS
- 42dB cross-talk at 240MHz
- 32dB off-isolation at 240MHz
- Ultra-Wide Bandwidth: -3dB BW = 750MHz
- Typical R_{ON} is 7 Ω at +3.0V
- Extreme low signal propagation delay

Pin Configuration



Block Diagram



Ordering Information

Ordering Code	Package	Packing
SV7030-10WY-TR3	WQFN-10 1.8 mm x 1.3 mm	Tape & Reel, 3000 pcs
SV7030-10WZ-TR3	WQFN-10 2.0mm x 1.3 mm	Tape & Reel, 3000 pcs
SV7030-10MP-TR3	MSOP-10	Tape & Reel, 3000 pcs

Description

The SV7030 is a cost-effective, low power consumption, high-speed USB2.0 switch targeting on handset, portable and digital consumer applications. Its bandwidth is much higher than the high-speed USB 2.0 (480MHz) requirement that makes it ideal for industry standard full-speed USB1.1 and high-speed USB2.0 applications. It also features low channel cross-talk and high off-isolation that allows low attenuation switching. The SV7030 is acting as a multiplexer that multiplexes differential outputs from one of two outputs of the SV7030.

Pin Description

NAME	DESCRIPTION
\overline{OE}	Active LOW, Output enable
S	Select input
D+, D-	Data com port
HSDn+ HSDn-	I/O for USB data path (port 1 and port 2)

Truth Table

SEL	\overline{OE}	Function
X	H	Hi-Z
L	L	D+, D- = HSD1n
H	L	D+, D- = HSD2n