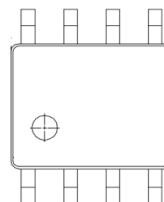


# SV5309

## Low Power, Triple 5th-order 8MHz filter, Quality Enhanced Standard Definition Video Filter Driver

### Features

- Low power, low voltage design
- Improved video quality
- Three 5th-order, 8MHz filters integrated
- +6dB-gain, driver design
- Rail-to-Rail output
- Transparent input clamping
- Versatile AC- or DC-coupled configurations at input and outputs
- Operating voltage from +3 to +5.5V
- Green SOP8 package
- -40°C to +85°C operating temperature range



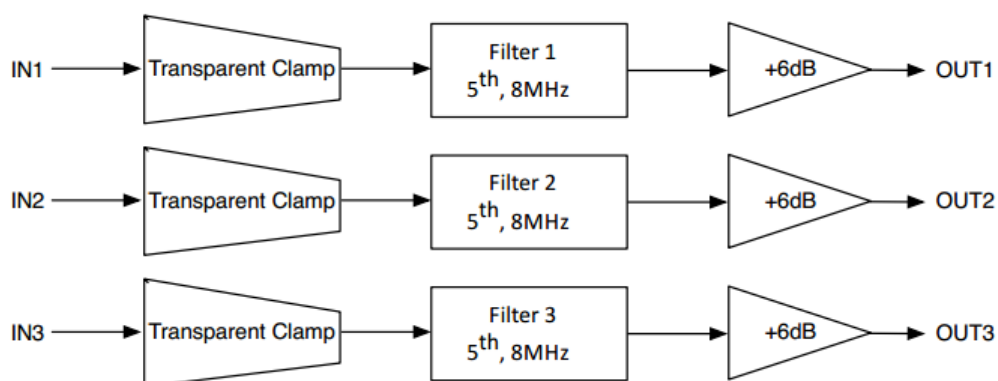
SOP-8L

### Description

The SV5309 is a cost-effective, low power, low voltage Standard Definition (SD) Video Driver with enhanced video quality. It features three 5th-order filters and +6dB drivers designed for replacing traditional 2nd ~ 3th-order passive LC filtering solution that improves output video quality and reduces PCB space.

With state-of-art low voltage and low power design, makes it ideal for low power SD video system design. The 8KV ESD protection design also helps to reduce ESD protection cost, but still provides robust ESD protection and reduces any potential system reliability and safety issues from ESD threats.

### Block diagram



### Order codes

Order Code	Operation range	Package	Packing
SV5309-08SP-TR2	-40°C, +85°C	SOP-8	Tape & reel, 2500pcs