



# SV5309

**Low Power, Triple 5th-order 8MHz filter, Quality Enhanced  
Standard Definition Video Filter Driver**

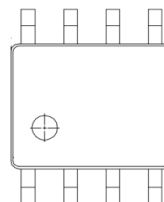
Revision v1.0  
**SAVITECH Corporation**

# SV5309

## Low Power, Triple 5th-order 8MHz filter, Quality Enhanced Standard Definition Video Filter Driver

### Features

- Low power, low voltage design
- Improved video quality
- Three 5th-order, 8MHz filters integrated
- +6dB-gain, driver design
- Rail-to-Rail output
- Transparent input clamping
- Versatile AC- or DC-coupled configurations at input and outputs
- Operating voltage from +3 to +5.5V
- Green SOP8 package
- -40°C to +85°C operating temperature range



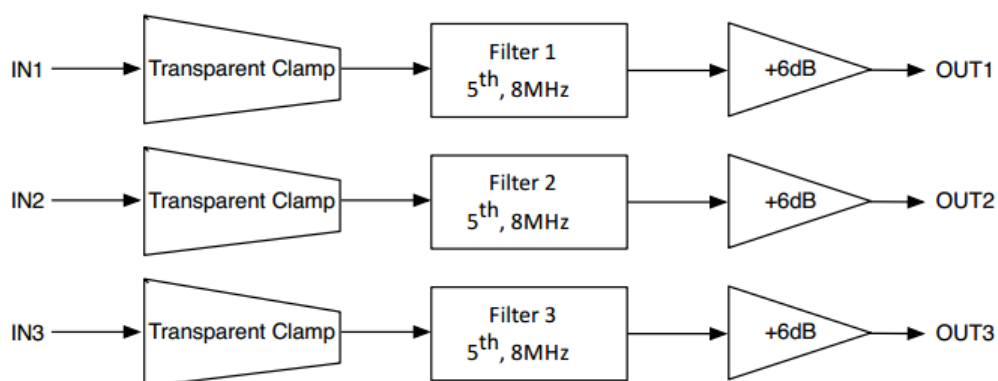
SOP-8L

### Description

The SV5309 is a cost-effective, low power, low voltage Standard Definition (SD) Video Driver with enhanced video quality. It features three 5th-order filters and +6dB drivers designed for replacing traditional 2nd ~ 3th-order passive LC filtering solution that improves output video quality and reduces PCB space.

With state-of-art low voltage and low power design, makes it ideal for low power SD video system design. The 8KV ESD protection design also helps to reduce ESD protection cost, but still provides robust ESD protection and reduces any potential system reliability and safety issues from ESD threats.

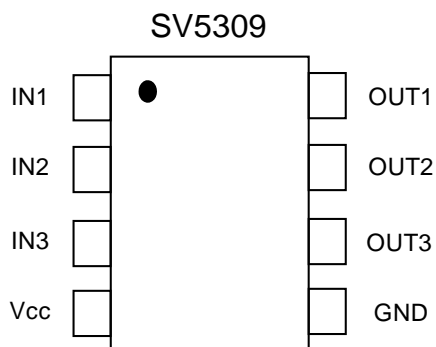
### Block diagram



### Order codes

Order Code	Operation range	Package	Packing
SV5309-08SP-TR2	-40°C, +85°C	SOP-8	Tape & reel, 2500pcs

## Pin configuration (Top view)



## Pin description

PIN	NAME	FUNCTION
1	IN1	Video input, channel 1
2	IN2	Video input, channel 2
3	IN3	Video input, channel 3
4	V <sub>CC</sub>	Power supply
5	GND	Ground
6	OUT3	Filter output, channel 3
7	OUT2	Filter output, channel 2
8	OUT1	Filter output, channel 1

## Absolute maximum ratings

Parameter	Value	Unit
V <sub>CC</sub> to GND, Supply Voltage,	6	V
Input Voltage	GND - 0.3 to (V <sub>CC</sub> ) +0.3	V
Storage Temperature Range	-65 to +150	°C
Continuous current through V <sub>DD</sub> or GND	100	mA
ESD Susceptibility: HBM	8000	V
ESD Susceptibility: MM	400	V

Stresses above those listed under Absolute Maximum Ratings may cause permanent damage to the device. This is a stress rating only; functional operation of the device at these or any other conditions above those indicated in the operational section of this specification is not implied. Exposure to absolute maximum rating conditions for extended periods may affect device reliability.

## CAUTION

This integrated circuit can be damaged by ESD if you don't pay attention to ESD protection. SAVITECH recommends that all integrated circuits be handled with appropriate precautions. Failure to observe proper handling and installation procedures can cause damage. ESD damage can range from subtle performance degradation to complete device failure. Precision integrated circuits may be more susceptible to damage because very small parametric changes could cause the device not to meet its published specifications.

**Electrical characteristics**

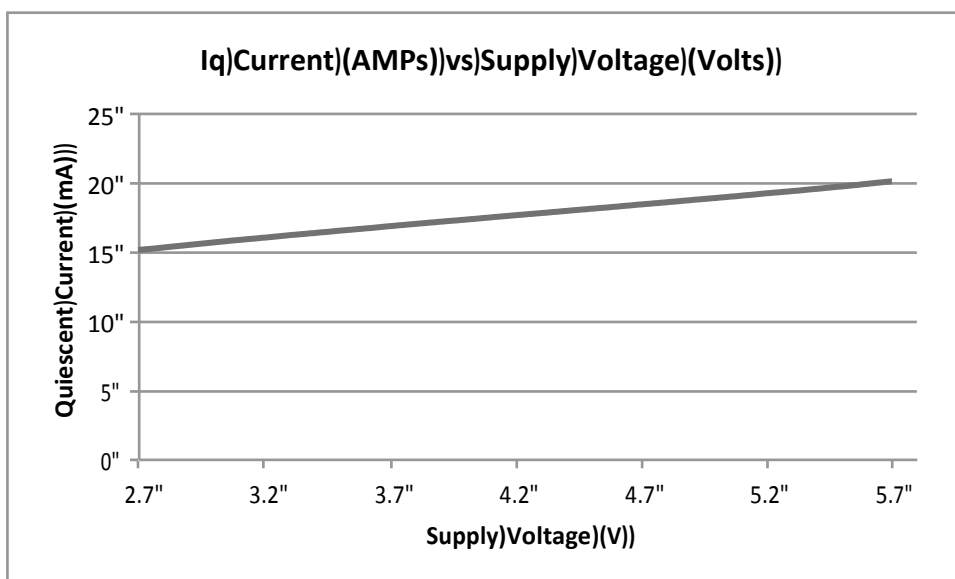
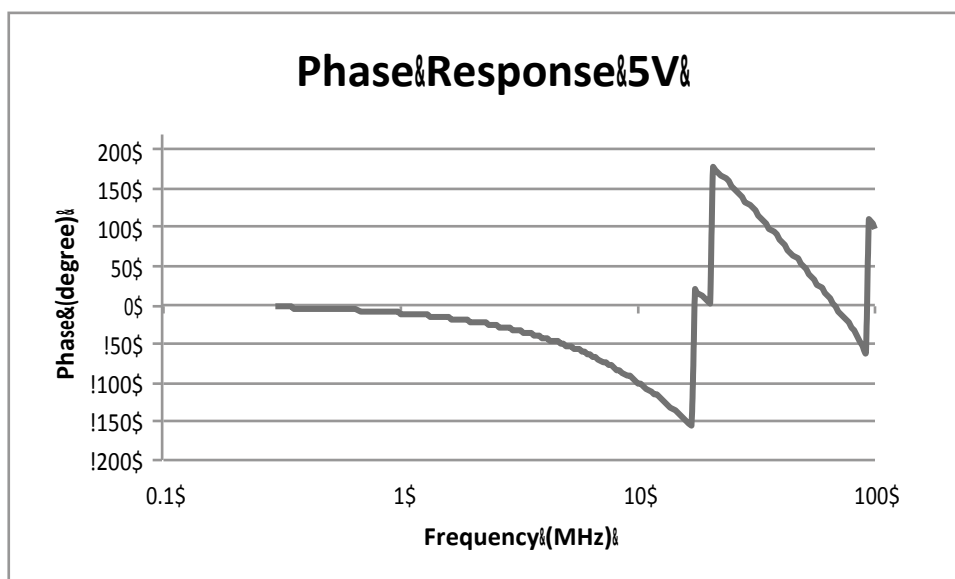
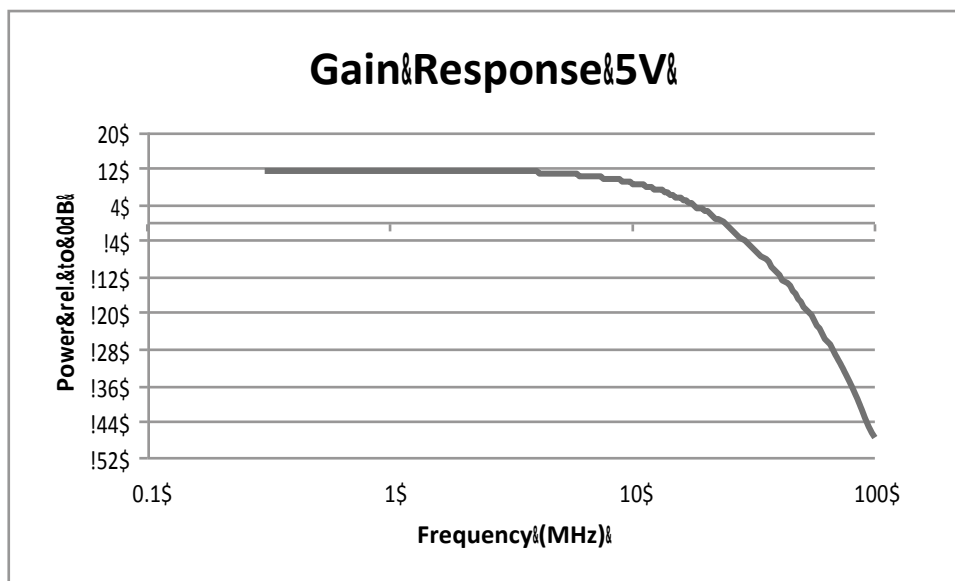
( $R_L = 150\Omega$  connected to GND,  $V_{IN} = 1V_{pp}$ , and  $C_{IN} = 0.1\mu F$ , all outputs AC coupled with  $220\mu F$ , referenced to 400kHz, unless otherwise noted.)

PARAMETER	CONDITIONS	TEMP	MIN	TYP	MAX	UNITS
<b>INPUT CHARACTERISTICS</b>						
Output Level Shift Voltage (VOLS)	$V_{IN} = 0V$ , no load	+25°C		386	572	mV
		-40°C to +85°C			670	
Input Voltage Clamp (VCLAMP)	$I_{IN} = -3.5mA$	+25°C	-220	-104		mV
		-40°C to +85°C	-300			
Clamp Charge Current	$V_{IN} = V_{CLAMP} - 100mV$	+25°C		400		uA
		-40°C to +85°C				
Voltage Gain (AV)	$R_L = 150\Omega$	+25°C	5.7	6	6.4	dB
		-40°C to +85°C	5.4		6.6	
<b>OUTPUT CHARACTERISTICS</b>						
Output Voltage High Swing	$V_{IN} = 3V$ , $R_L = 150\Omega$ to GND	+25°C	4.3	4.74		V
		-40°C to +85°C	4.2			
<b>POWER SUPPLY</b>						
Operating Voltage Range		+25°C	3		5.5	V
Power Supply Rejection Ratio (PSRR)	$V_{CC} = 3V$ to $5.0V$	+25°C		-52		dB
		-40°C to +85°C		-42		
Quiescent Current (IQ)	$V_{IN} = 0V$	+25°C		19.5	22	mA
		-40°C to +85°C			27	
<b>AC PERFORMANCE</b>						
-0.1dB Bandwidth	$R_L = 150\Omega$	+25°C		2		MHz
-3dB Bandwidth	$R_L = 150\Omega$	+25°C		8		MHz
Filter Response (Normalized Gain)	$f_{IN} = 27MHz$	+25°C		-30		dB
Slew Rate	2V Output Step, 80% to 20%	+25°C		35		V/√s
Differential Gain (DG)	PAL DC coupled	+25°C		0.06		%
	PAL AC coupled	+25°C		0.09		%
Differential Phase (DP)	PAL DC coupled	+25°C		0.09		°C
	PAL AC coupled	+25°C		0.14		°C
Group Delay Variation (D/DT)	Difference between 400kHz and 6.5MHz	+25°C		3.5		ns
Crosstalk (channel - to - channel)	$f = 1MHz$	+25°C		-45		dB
Fall Time	2V Output Step, 80% to 20%	+25°C		26		ns
Rise Time	2V Output Step, 80% to 20%	+25°C		20		ns

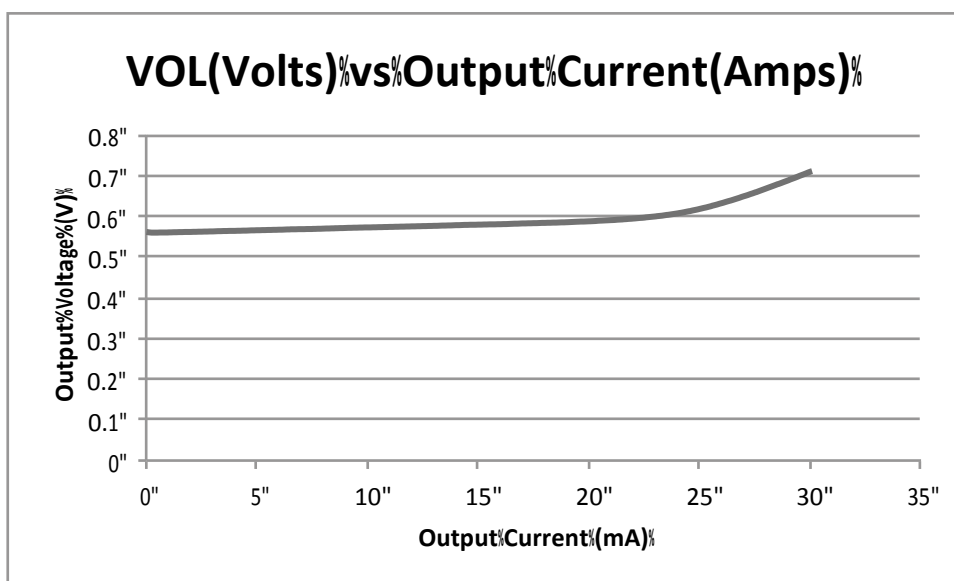
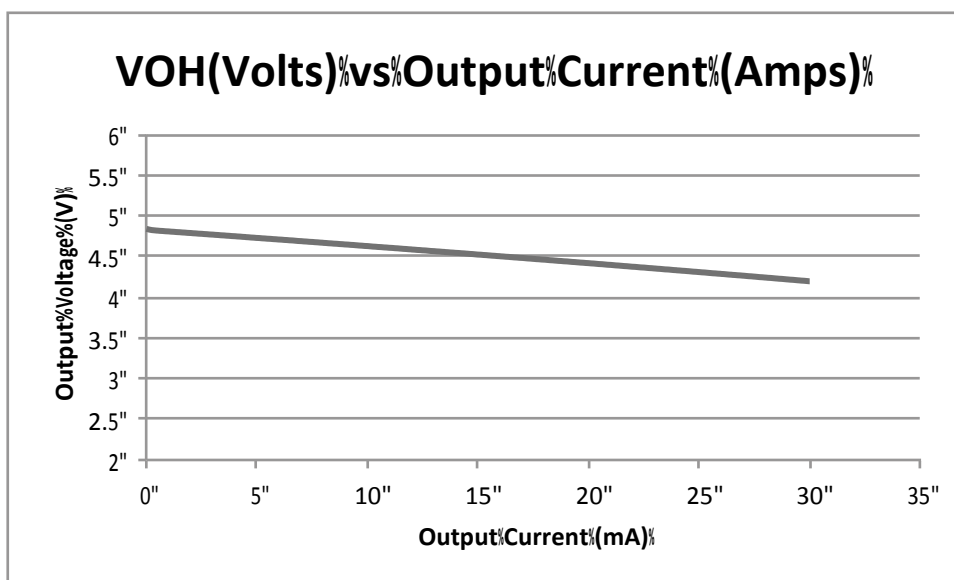
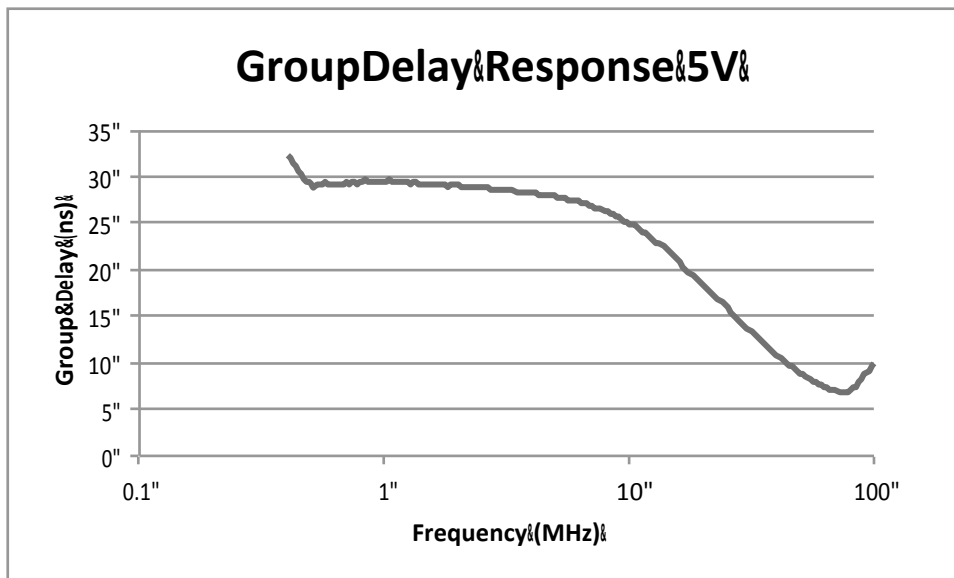
Specifications subject to changes without notice.

## Typical performance characteristics

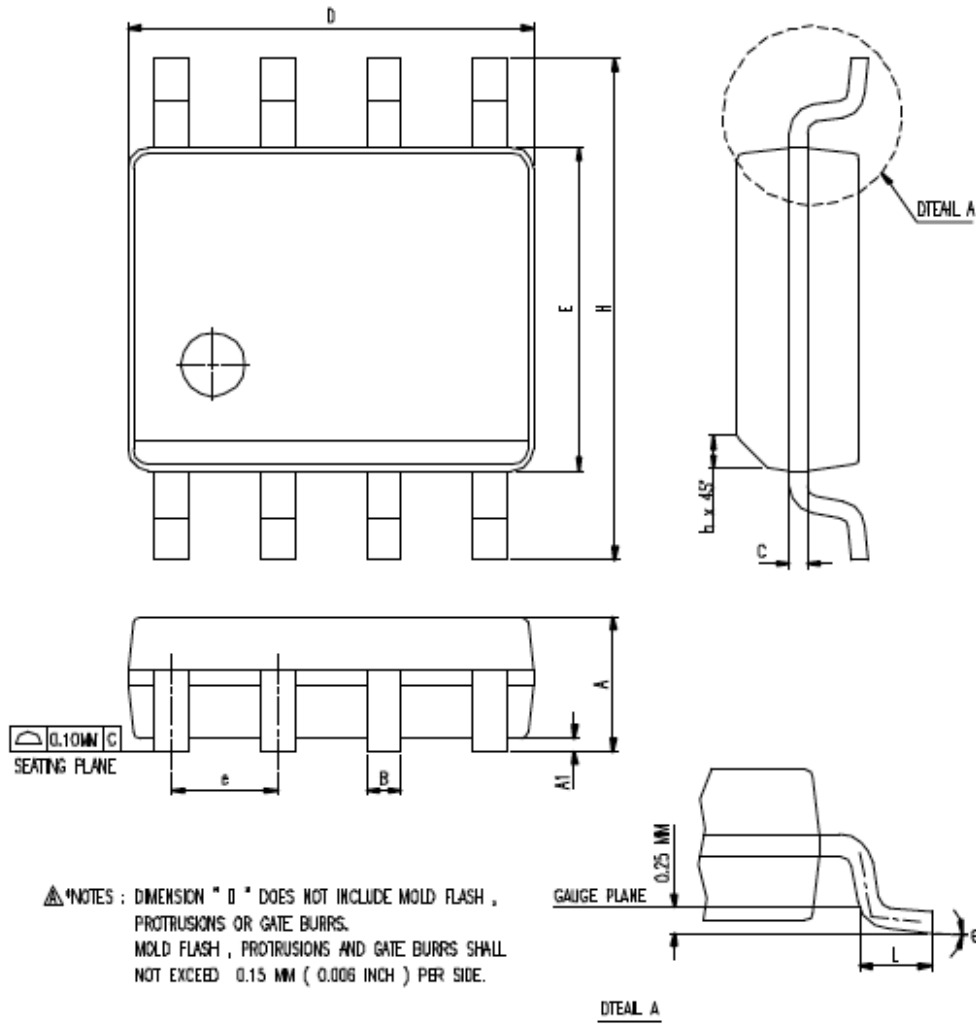
At  $V_{CC} = 5V$ ,  $T_A = +25^\circ C$ ,  $R_L = 150\Omega$ , all outputs AC coupled with  $220\mu F$ , unless otherwise noted.



## Typical Performance Characteristics



## SOP-8 MECHANICAL DATA



SYMBOL	DIMENSION IN MM		DIMENSION IN INCH	
	MIN.	MAX.	MIN.	MAX.
A	1.35	1.75	0.0532	0.0688
A1	0.10	0.25	0.0040	0.0098
B	0.33	0.51	0.013	0.020
C	0.19	0.25	0.0075	0.0098
e	1.27 BSC		0.050 BSC	
D	4.80	5.00	0.1890	0.1968
H	5.80	6.20	0.2284	0.2440
E	3.80	4.00	0.1497	0.1574
L	0.40	1.27	0.016	0.050
h	0.25	0.50	0.0099	0.0196
$\theta$	$\theta'$	$\theta''$	$\theta'$	$\theta''$
JEDEC	MS-D12 (AA)			

Information furnished is believed to be accurate and reliable. However, SAVITECH assumes no responsibility for the consequences of use of such information nor for any infringement of patents or other rights of third parties that may result from its use. No license is granted by implication or otherwise under any patent or patent rights of SAVITECH. Specifications mentioned in this publication are subject to change without notice. This publication supersedes and replaces all information previously supplied. SAVITECH products are not authorized for use as critical components in life support devices or systems without express written approval of SAVITECH.

The SAVITECH logo is a registered trademark of Savitech Corporation.

All other names are the property of their respective owners

© 2011 Savitech Corporation - All Rights Reserved